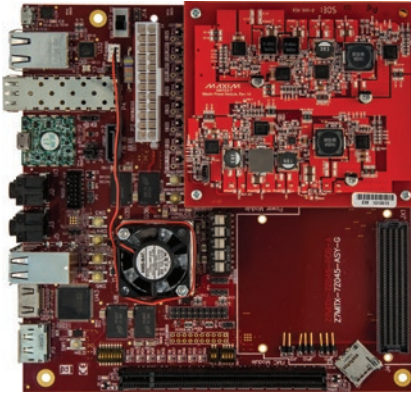


Avnet Product Brief

Xilinx Zynq®-7000 All Programmable SoC Mini-ITX Development Kit



The Xilinx Zynq®-7000 All Programmable SoC Mini-ITX Development Kit provides a complete development platform for designing and verifying applications based on the Xilinx Zynq-7000 All Programmable SoC family. Designed to the industry standard Mini-ITX form factor, the Xilinx Zynq-7000 AP SoC Mini-ITX development board packages all the necessary functions needed for an embedded processing system.

Available with the Zynq XC7Z045-2FFG900 or the XC7Z100-2FFG900 device, the Mini-ITX kit enables designers to prototype high-performance designs with ease, while providing expandability and customization through the FMC HPC expansion slot. In addition to the Xilinx Zynq-7000 AP SoC XC7Z045 or XC7Z100 device, the Zynq Mini-ITX development board features 2 GB DDR3 SDRAM, PCIe Gen2 x16 Root Complex slot (x4 electrical), SATA-III interface, SFP interface, QSPI Flash memory, HDMI interface, LVDS touch panel interface, Audio Codec, a 10/100/1000 Ethernet PHY, a USB 2.0 4-port hub, a microSD card interface, and a USB-UART port.

Kit Includes

Mini-ITX Base Kit

- >> Zynq Mini-ITX Board Kit
- >> USB A-mini-B cables (2)
- >> Ethernet cable
- >> microSD Card
- >> 200W ATX power supply with US, UK, and Europe AC cord
- >> Vivado Design Edition software (device locked to XC7Z045-2FFG900 or XC7Z100-2FFG900)
- >> FMC adapter

Mini-ITX Board Kit

- >> Zynq Mini-ITX development board
- >> Zynq XC7Z045-2FFG900 or XC7Z100-2FFG900 device
- >> Power module

Mini-ITX System Kit

- >> Zynq Mini-ITX Base Kit
- >> Mini-ITX Chassis
- >> 500 GB SATA-III Hard Drive

To purchase this kit, visit em.avnet.com/Mini-ITX-7Z-G

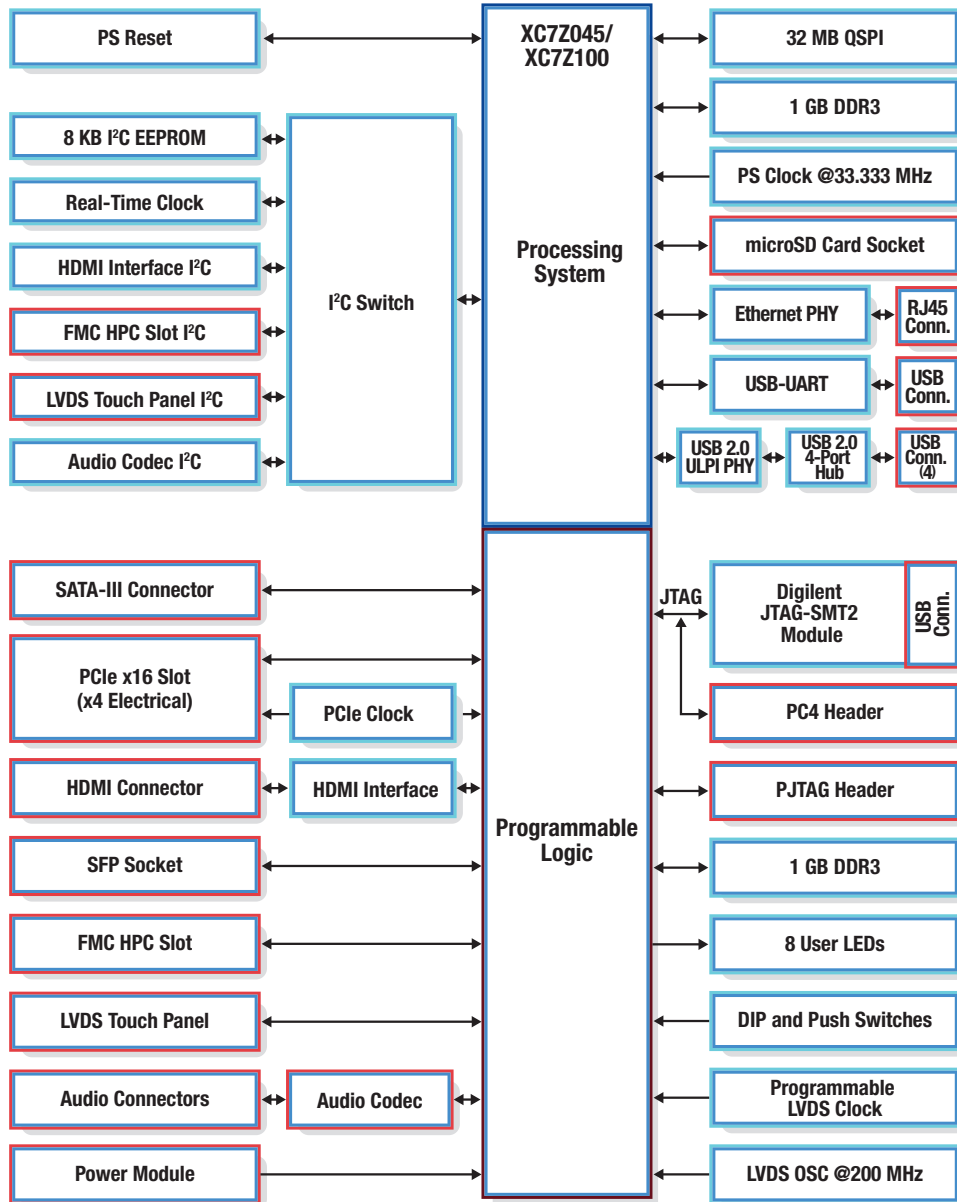
Zynq Mini-ITX Development Board Features

- >> Xilinx XC7Z045/XC7Z100-2FFG900
- >> 1 GB PS DDR3 SDRAM
- >> 1 GB PL DDR3 SDRAM
- >> 32 MB of QSPI Flash
- >> 8 KB of I²C EEPROM
- >> Real-Time Clock
- >> 10/100/1000 Ethernet Interface
- >> USB-UART Interface
- >> microSD Card Interface
- >> USB 2.0 4-Port HUB
- >> PCIe Gen2 x4 Root Complex (x16 physical Slot)
- >> SATA-III Interface
- >> FMC HPC Slot (VADJ of 1.8 V, 2.5 V, or 3.3 V)
- >> SFP Socket
- >> LVDS Touch Panel Interface
- >> HDMI Interface
- >> Audio Codec
- >> User LEDs and Switches
- >> Programmable LVDS Clock Source (GTX reference clock)
- >> 200 MHz LVDS Oscillator (system clock)
- >> JTAG Header
- >> Processor PJTAG Header
- >> Digilent USB-JTAG Module (JTAG-SMT2)

Target Applications

- >> PCI Express
- >> Embedded controllers
- >> General-purpose prototyping
- >> Networking and communications
- >> Storage and servers
- >> Video applications

Zynq Mini-ITX Development Board Block Diagram



Featured Manufacturers



Ordering

Part Number	Description	Resale
AES-Mini-ITX-7Z045-G	Xilinx Zynq-7000 AP SoC XC7Z045 Mini-ITX*	\$1,950 USD
AES-Mini-ITX-7Z100-G	Xilinx Zynq-7000 AP SoC XC7Z045 Mini-ITX*	\$2,150 USD
AES-Mini-ITX-7Z045-BAS-G	Xilinx Zynq-7000 AP SoC XC7Z045 Mini-ITX Base Kit	\$1,995 USD
AES-Mini-ITX-7Z100-BAS-G	Xilinx Zynq-7000 AP SoC XC7Z100 Mini-ITX Base Kit	\$2,195 USD
AES-Mini-ITX-7Z045-SYS-G	Xilinx Zynq-7000 AP SoC XC7Z045 Mini-ITX System Kit	\$2,295 USD
AES-Mini-ITX-7Z100-SYS-G	Xilinx Zynq-7000 AP SoC XC7Z100 Mini-ITX System Kit	\$2,495 USD

*Note: Base kit without 200 W ATX Power Supply

To purchase this kit, visit www.em.avnet.com/Mini-ITX-7Z-G

Contact Information

North America	Europe	Japan	Asia
2211 South 47th Street Phoenix, Arizona 85034 United States of America eval.kits@avnet.com +1-800-585-1602	Gruber Str. 60c 85586 Poing Germany marketing@silica.com +49-8121-77702	Yebisu Garden Place Tower, 29F 4-20-3 Ebisu, Shibuya-ku, Tokyo 150-6029 Japan eval-kits-jp@avnet.com +81-(0)3-5792-8210	151 Lorong Chuan, #06-03 New Tech Park Singapore 556741 XilinxAPAC@avnet.com +65-6580-6000



Accelerating Your Success™